



# XV10DVR USER MANUAL



For more information  
on the Xview range go  
to our website

[xviewdrive.com.au](http://xviewdrive.com.au)

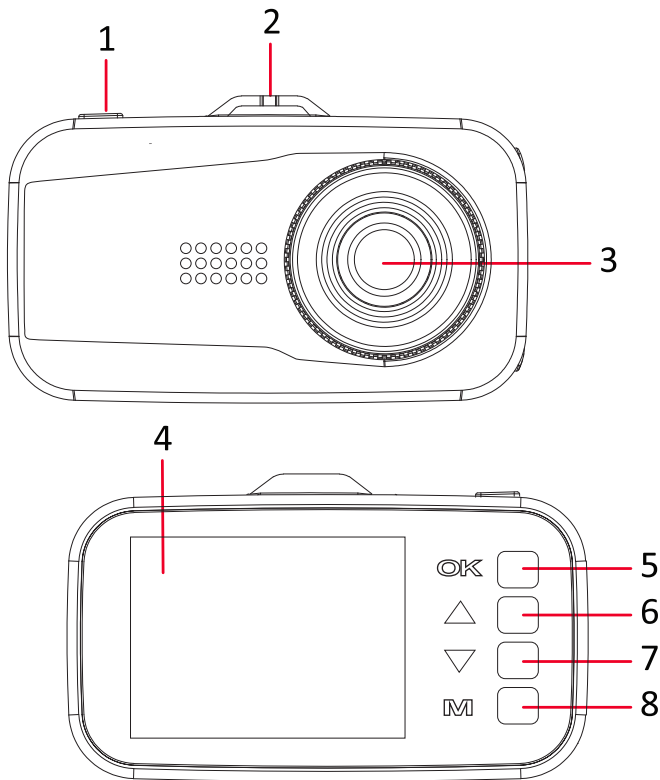


#### INCLUSIONS:

Dash Cam, Camera Mount, 12/24V In-Car Charger, USB Cable,  
8GB Micro SD Card, Adhesive Surface Mount

## 1. PRODUCT PICTURE AND FUNCTIONS

---



1) POWER/MODE Button

2) Mounting Slot

3) Lens

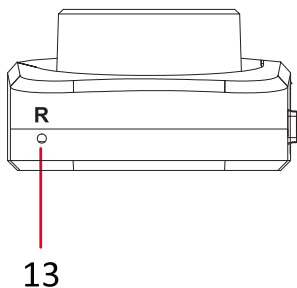
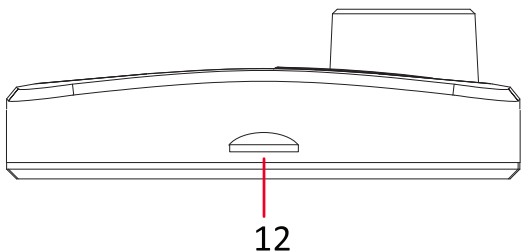
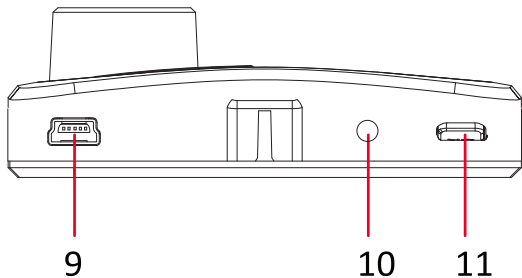
4) Screen

5) OK Button (Rec/Photo)

6) UP Button (Mute)

7) DOWN Button

8) MENU Button



- 9) Mini USB input
- 10) AV input
- 11) POWER/MODE Button
- 12) Micro SD Card Slot
- 13) Reset hole

**NOTE:** Dash Cam supports up to 32GB Micro SD card. Class 10 Micro SD card is required.

## 2. INSTALLATION

---

2.1 Insert Micro SD card into the Dash Cam

2.2 Attach the mounting bracket to the Dash Cam by sliding the mount into the mounting slot of the Dash Cam

2.3 Check position of the Dash Cam before fixing the camera on the inside surface of the windshield. The area near the rear-view mirror is suggested. (See installation diagram). Make sure the windscreen is clean and free of debris. Use an Alcohol wipe to enhance adhesion.

2.4 Remove the tape off the adhesive mount and adhere to the windshield holding in position for 60 seconds

2.5 Insert Mini USB end of the 12/24V In-car charger into the Mini USB input/ charging point of the Dash Cam. Connect charging socket end of the 12/24V In-car charger into 12/24V power socket of vehicle.

2.6 Turn vehicles ignition to accessories and the Dash Cam will power ON and start recording automatically. An audible tone will heard once powered.

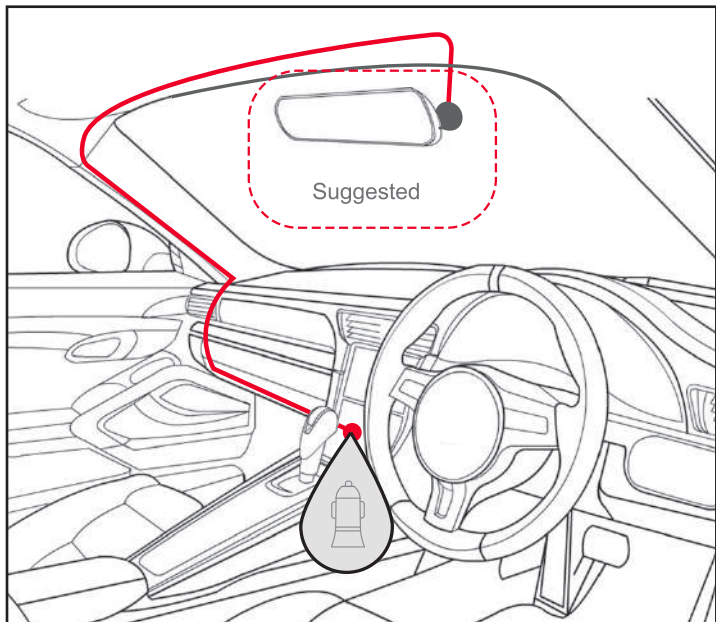
2.7 The recording indicator light will start flashing RED on the screen and a will appear when recording has started.

2.8 Adjust the mounting bracket and rotate the camera direction to get the best view.

2.9 For the Dash Cam to work it must receive power from the 12/24V In-car charger. Once power is removed or turned off the Dash Cam will save the current file and turn off.

### 3. INSTALLATION DIAGRAM

---



## 4. VIDEO AND PHOTO MODE

---

4.1 To switch between video, photo and playback mode press the **[POWER/MODE]** button.

### 4.2 Video Mode:

There is a video camera icon at the top left corner of the LCD to signify you are on video mode. The recording indicator will start flashing RED. A red circle will flash on the screen and a red timer will appear when recording has started.

To stop the recording, simply press the **[OK]** button.

To resume press recording press **[OK]** button.

When recording press the **[MENU]** button to lock the recorded video. A key symbol will appear on screen when activated.

### 4.3 Photo Mode:

There is a photo camera icon at the top left corner of the LCD to signify you are on photo mode. To take a photo press the **[OK]** button and you will hear a click sound. For the photo to display on the screen, Quick Review must be enabled in the photo menu settings.

## 5. BUTTON FUNCTIONALITY

---

- 5.1 **[OK]** button: Press to confirm or execute function
- 5.2 **[MENU]** button: Press to enter and exit settings menu.
- 5.3 **[POWER/MODE]** button: Long press to turn on the Dash Cam. Press to change modes.
- 5.4 **[UP]** button: Press to navigate menus. In video recording mode press to mute microphone.
- 5.5 **[DOWN]** button: Press to navigate menus

## 6. VIDEO MODE SETTINGS

---

- 6.1 Press the **[MENU]** button to once access Dash Cam video settings, press the **[MENU]** button to twice access Dash Cam tools settings.
- 6.2 Use **[UP]** and **[DOWN]** arrows to navigate through sub menus
- 6.3 Press **[OK]** button to open sub menus
- 6.4 Use **[UP]** and **[DOWN]** arrows to select setting within sub menus
- 6.5 Press **[OK]** button to confirm the setting in sub menu
- 6.6 Press **[MENU]** button to exit sub menu

## 7. VIDEO SETTINGS MENU

---

- 7.1 Resolution
- 7.2 Loop recording
- 7.3 Exposure
- 7.4 Record Audio
- 7.5 Date Stamp
- 7.6 Gsensor

## 8. TOOLS SETTINGS MENU

---

- 8.1 Date/Time
- 8.2 Screen saver
- 8.3 Beep Sound
- 8.4 Language
- 8.5 Frequency
- 8.6 Format
- 8.7 Default Setting
- 8.8 Version



## 9. PHOTO MODE SETTINGS

---

9.1 Press the **[MENU]** button to once access Dash Cam photo settings, press the **[MENU]** button to twice access Dash Cam tools settings.

9.2 Use **[UP]** and **[DOWN]** arrows to navigate through sub menus

9.3 Press **[OK]** button to open sub menus

9.4 Use **[UP]** and **[DOWN]** arrows to select setting within sub menus

9.5 Press **[OK]** button to confirm the setting in sub menu

9.6 Press **[MENU]** button to exit sub menu

## 10. PHOTO SETTINGS MENU

---

10.1 Resolution

10.2 Sequence

10.3 Quality

10.4 Sharpness

10.5 White Balance

10.6 ISO

10.7 Exposure

10.8 Anti-Shaking

10.9 Quick Review

10.10 Date Stamp

## 11. VIDEO AND PHOTO PLAYBACK

---

On the top left of the screen a play symbol appears for photos taken. For video a film roll symbol appears. Use the **[UP]** and **[DOWN]** arrows to scroll through files. Press **[OK]** button to view or playback. During playback use the **[UP]** and **[DOWN]** arrows to increase or decrease the playback volume. Press **[MENU]** button to delete or protect the file. Press the **[POWER/MODE]** button to exit.

## 12. ACCESSING FILES VIA YOUR COMPUTER

---

To access video and images from your Dash Cam, connect the USB cable to your computer. Two options will appear on the Dash Cam screen. Press the **[OK]** button select Mass storage and a folder called **No-Name** will appear on your computer. Select PC camera to use Dash Cam as a web cam. Or alternatively remove the SD card from the Dash Cam and insert the SD card into a card reader to connect to your computer. Again a folder called **No-Name** will appear on your computer. Inside this folder will be your recorded movie files (AVI), and picture files (JPG)

## 13. RESETTING THE DASH CAM

---

Insert a pin into the reset hole on the side of the Dash Cam and press in with the Dash Cam turned on.

## 14. INTERNAL BATTERY

---

The internal battery is small and only designed to provide enough power to securely save the last recording when power is disconnected and to retain date and time settings. The Dash Cam is designed to be connected to power at all times when operating. If the Dash Cam is not used for an extended period of time the battery may become completely discharged which will cause the time and date on the device to default to the factory settings. If this occurs please completely recharge the Dash Cam before use.

## 15. FORMATTING THE SD CARD

---

It is advisable to format the card weekly if you have the Gravity Sensing (Gsensor) setting turned on, or create locked files. This will fill up the card causing it to stop recording any footage.

## 16. LOCKING VIDEO FOOTAGE

---

Whilst recording, long press the **[MENU]** button on the Dash Cam to activate the lock footage function. A key icon will display on the screen. This will lock the file currently being recorded to prevent it being recorded over. To remove locked footage from the Dash Cam you must format the card on the device or a computer.

## 17. SPECIFICATION

---

**Display:** 2.0" High-resolution LCD screen

**Video information:** 1920\*1080 @25fps, \*.AVI

**Photo information:** 1920\*1080, \*.JPG.

**Storage:** Supports Micro SD Card Class10 up to 32GB

**Viewing Angle:** 140 degree

**Functions:** G-Sensor, Loop recording

**Audio:** Built-in Microphone and speaker

**OSD Language:** Multiple

**Input / Output:** Mini USB (Power)

**Car charger:** DC input: 12 or 24V, output: 5V

## 18. USER SUPPORT

---

If you need assistance setting up or have an issue regarding the use of your Xview product contact Xview Customer Support.

Australian Agent

TEL: 03 – 8587 8898      FAX: 03 – 8587 8866

Mon-Fri 9am – 5pm AEST

Please retain this user guide for future reference.

For more information, manuals, software or other products in the Xview range please go to our website.

[Xviewdrive.com.au](http://Xviewdrive.com.au)

This manual and product is considered correct at time of printing but is subject to change. For latest manuals and updates refer to the website.

## 19. TROUBLE SHOOTING

---

**Problem:** The adhesive mount will not stay attached to the windscreen

**Solution:** • Ensure windscreen is clean and free of debris, use glass cleaner or an alcohol swab to clean.

- Ensure that the plastic film has been removed from the adhesive pad.
- When mounting hold the bracket firmly to the windscreen for at least 60 seconds.

**Problem:** The Dash Cam will not power on

**Solution:** • Vehicle Accessory Socket - Check the vehicle accessory socket has power, simply plug another device and see if it powers up (or use a test light / multimeter to check for power).

- Dash Cam Power Cable - Check the fuse in the tip of the 12/24V In-car charger it may need to be replaced.
- Dash Cam - Connect the Dash Cam to a computer via the USB cable to see if it powers up.

**Problem:** The Dash Cam shuts down when connected to the vehicle and the battery will not charge

**Solution:** • The battery will only charge while the vehicle is switched on.

- If the vehicle is not frequently used the Dash Cam battery will fully discharge and may need to be connected to a domestic USB charger (such as a smartphone charger) for approximately 3 hours to fully charge.

**Problem:** The Dash Cam battery only lasts for a few minutes when power is disconnected

**Solution:** • This is normal. Batteries in Dash Cams only hold enough power to safely shut down the Dash Cam, securely save the last file when power is disconnected and retain settings.

- The Dash Cam is designed to be connected to power at all times while being used.

**Problem:** The time & date settings reset every time the Dash Cam is powered on

**Solution:** • The time and date settings will reset when the Dash Cam's battery is flat. Make sure the Dash Cam's battery is fully charged in order to retain the time and date settings.

**Problem:** The Dash Cam menu cannot be accessed

**Solution:** • While the Dash Cam is recording the Menu cannot be accessed. Stop recording before pressing the Menu button.

**Problem:** The Dash Cam screen turns off after a few minutes when the Dash Cam is powered on

**Solution:** • Dash Cam's have an automatic screen saver feature. This helps reduce heat in the Dash Cam and also makes the Dash Cam less distracting to the driver.

• If you prefer the screen remain on, this can be changed in the Dash Cam settings under "Screen Saver".

**Problem:** The Dash Cam feels warm when it is operating

**Solution:** • It is normal for the Dash Cam to feel warm to the touch during typical use, especially when it is recording HD video.

**Problem:** The Dash Cam stops automatically while recording

**Solution:** • Check to see whether there is enough space on the Micro SD card.

• Ensure correct Micro SD card is being used, 8-32Gb Class 10 or above Micro SDHC is recommended. Other types of Micro SD cards may not be suitable for use in Dash Cam's.

• If the correct Micro SD Card is being used, format the Micro SD Card in a computer.

• Micro SD cards have a limited lifespan and become corrupt after a period of time, due to the continuous loop recording function. If this has occurred replace your Micro SD Card.

**Problem:** The Micro SD card is not recognised by the Dash Cam

**Solution:** • Format the Micro SD card before using. Be sure the Micro SD card is compatible with the device, see “Stops automatically while recording” fault.

**Problem:** The Dash Cam will not record video or take pictures

**Solution:** • Check to see whether there is enough space on the Micro SD card. If not, the Micro SD card will need to be formatted.

**Problem:** Video files can not be played on the PC

**Solution:** • The video files from the Dash Cam are in .AVI format and may not be compatible with your PC if suitable playback software is not installed.

**Problem:** My videos are blurry, dirty or discoloured

**Solution:** • Check to see if there are any finger prints or dirt present on the camera lens. If needed, clean with a soft dry cloth before recording.

• Also be sure to have removed the transparent lens cover during installation.

**Problem:** The Dash Cam is frozen or not responding

**Solution:** • Reset the unit by inserting a pin into the reset hole, push and hold the reset button for a few seconds and try again.  
• Format Micro SD Card in a computer.

**Problem:** Unresolved issues

**Solution:** • Reset the unit by inserting a pin into the reset hole, push and hold the reset button for a few seconds and try again.  
• Format Micro SD Card in a computer.  
• Contact Xview Technical Department

## 20. SAFETY INFORMATION & WARNINGS

---

Do not use the Dash Cam in damp working conditions; the Dash Cam is not waterproof.

Do not try opening the shell or trying to repair the Dash Cam by yourself. If the accessories for the Dash Cam have any problems, please take it to an authorised repair agent for repair.

Do not use a chemical substance, cleaning solvent or cleaner to clean the Dash Cam, please use a moist soft cloth if you would like to clean the Dash Cam.

Do not use the Dash Cam under conditions where dust is present.

Use a moist soft cloth to clean the lens before use, to avoid poor video footage.

Xview is NOT responsible for the loss of any recorded video during operation. Although designed to withstand high impact of car collision.

Xview does NOT guarantee recording of accidents where the impact may cause the device to be damaged.